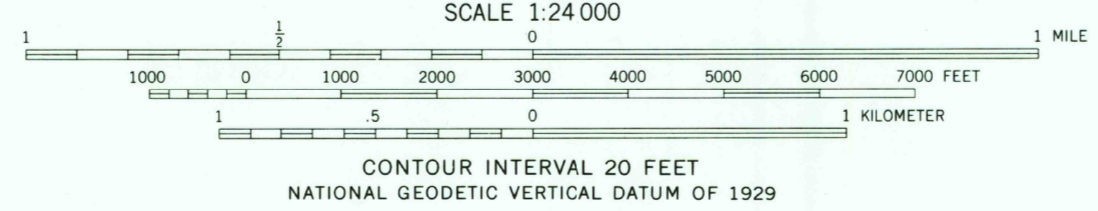
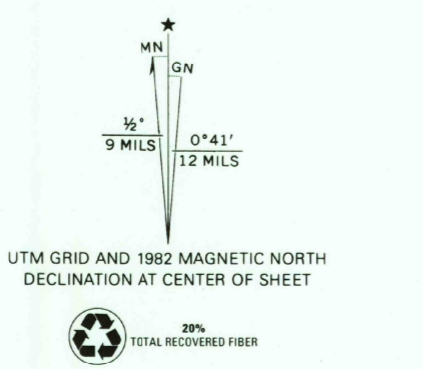


Maped and edited by Tennessee Valley Authority  
Published by the Geological Survey

Control by NOS/NOAA, USGS, WPA, and TVA  
Revised by TVA in 1974 by photogrammetric methods  
using aerial photographs taken 1974 and by reference  
to TVA-USGS quadrangle dated 1950  
Map field checked by TVA 1974

Polycyclic projection, 10,000-foot grid ticks based on Tennessee  
coordinate system, 1000 meter Universal Transverse Mercator  
grid ticks, zone 16, shown in blue, 1927 North American Datum  
To place on the predicted North American Datum 1983  
move the projection lines 6 meters south and 3 meters  
west as shown by dashed corner ticks

There may be private inholdings within the boundaries of the  
National or State reservations shown on this map  
Fine red dashed lines indicate selected fence and field lines  
where generally visible on aerial photographs. This information is unchecked



ROAD CLASSIFICATION (TVA 94-NE)

|  |  |
|--|--|
| Primary highway, all weather, hard surface   | Light-duty road, all weather, improved surface |
| Secondary highway, all weather, hard surface | Unimproved road, fair or dry weather           |

○ Interstate Route    ○ U. S. Route    ○ State Route

THIS MAP COMPLIES WITH NATIONAL MAP ACCURACY STANDARDS  
FOR SALE BY U. S. GEOLOGICAL SURVEY, RESTON, VIRGINIA 22092,  
TENNESSEE DEPARTMENT OF CONSERVATION, DIVISION OF GEOLOGY, NASHVILLE, TENN., 37219  
AND U. S. TENNESSEE VALLEY AUTHORITY, CHATTANOOGA, TENN. 37401 OR KNOXVILLE, TENN., 37902  
A FOLDER DESCRIBING TOPOGRAPHIC MAPS AND SYMBOLS IS AVAILABLE ON REQUEST

Revisions shown in purple and woodland compiled by the  
Tennessee Valley Authority from aerial photographs taken 1981  
and other sources. This information not field checked  
Map edited 1982

MONTEAGLE, TENN.  
N3507.5-W8545.7.5  
1974  
PHOTOREVISED 1982  
DMA 3854 III NE-SERIES V841

RECEIVED  
APR 3 0 2002

